



WH-SN / WH-SNR Shutter Nozzle



The NeocerAM WH-SN is ideal for efficiently dispensing thick products and delivering liquids without drips. This positive shut-off nozzle seamlessly integrates with NeocerAM WH pumps, as well as any existing systems. The WH-SN offers a compact and versatile solution across all industries.

- 316L construction
- Double action pneumatic drive
- Adjustable stroke
- Flow-control valves
- One-piece tube
- Large fitting range available
- Tube tip seal-less sealing
- Standard lengths 3.5" - 6.5" - 12.5"
Additional custom lengths range 0.5" - 44"
(with 0.5" increments)



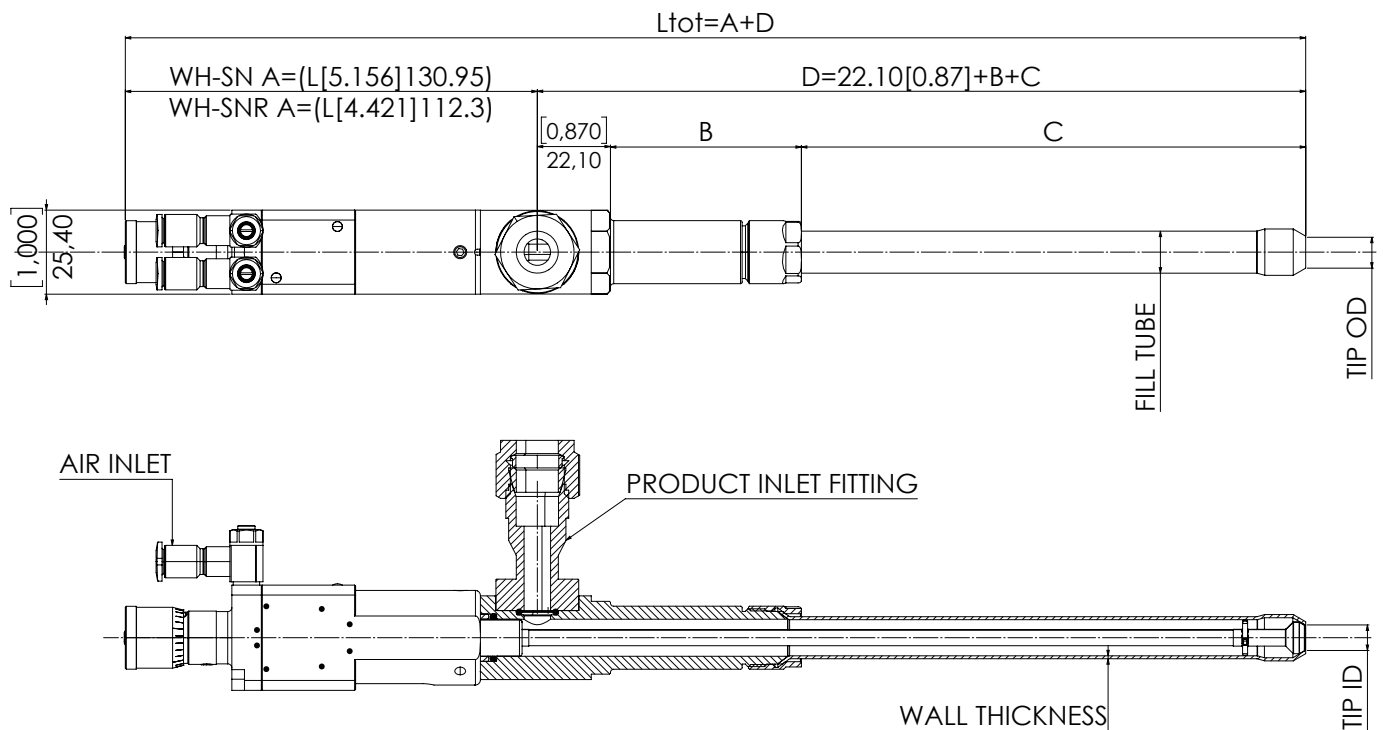
Scan to visit
www.neoceramavanti.com



BQA,EMS,C_2023162



BQA,QMS,C_1997162



Nozzle Code*		Inlet Body B inches	Fill tube inches	Wall thickness inches	TIP OD inches	TIP ID inches	TUBE LENGTH C=-XXX (model)** inches		
Body Type	Model						-035	-065	-125
WH-SN/ WH-SNR	-S187-XXX	S=2,169	3/16	0,02	0,23	0,095	3,5	6,5	12,5
	-L187-XXX	L=4,169	3/16	0,02	0,23	0,095	3,5	6,5	12,5
	-S250-XXX	S=2,169	1/4	0,02	0,28	0,125	3,5	6,5	12,5
	-L250-XXX	L=4,169	1/4	0,02	0,28	0,125	3,5	6,5	12,5
	-S312-XXX	S=2,169	5/16	0,035	0,36	0,16	3,5	6,5	12,5
	-L312-XXX	L=4,169	5/16	0,035	0,36	0,16	3,5	6,5	12,5
	-S375-XXX	S=2,169	3/8	0,035	0,42	0,21	3,5	6,5	12,5
	-L375-XXX	L=4,169	3/8	0,035	0,42	0,21	3,5	6,5	12,5
	-S500-XXX	S=2,169	1/2	0,035	0,55	0,306	3,5	6,5	12,5
	-L500-XXX	L=4,169	1/2	0,035	0,55	0,306	3,5	6,5	12,5

* Model numbers listed below are for illustrative purposes. For full nozzle models, please contact a Neoceram sales representative.

** 3.5", 6.5" and 12.5" are considered standard lengths. Additional custom lengths are available from 0.5" to 44", in 0.5" increments. Please contact a Neoceram sales representative.

NOTE: Different nozzle tips are available depending on your application. Please contact a Neoceram sales representative.

North America

4525 Lehigh Drive
Walnutport, PA 18088 • USA
☎ +1 (610) 837-9001
✉ sales.avanti@neoceram.com

www.neoceramavanti.com



Europe

Viale dell' Agricoltura 12
15067 Novi Ligure (AL) • Italy
☎ +39 0143 78538
✉ sales.avanti.eu@neoceram.com