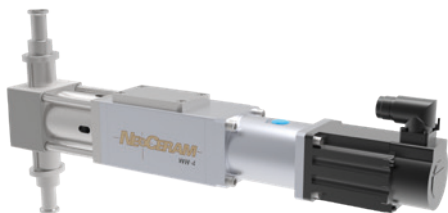
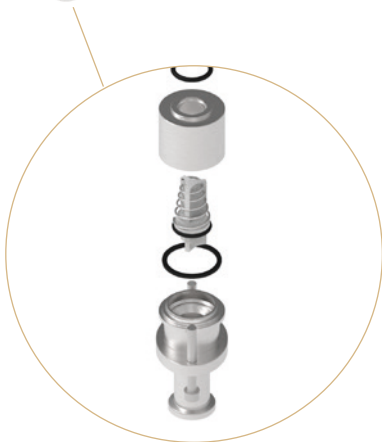


## WH-4C Check valve pump



New NeocerAM WH-4 pumps, check valve version. These pumps are ideal for products with low and medium viscosity. Their modular design makes these pumps easy to integrate with automated filling equipment.

- Volume up to 260 ml
- Filling accuracy of up to  $\pm 1/2$  % or better
- Pumps actuated pneumatically or by servo motor.
- Adjustment of filling volume and speed control by a precise built-in micrometer, for pneumatic pump drive type.
- Check valve technology for low viscous products up to 20,000 cps., without any solid particles. Consult us for higher viscosity applications.
- Applications: Cosmetics, food, pharmaceutical, home care and more
- Reed switch ready design for accurate position feedback



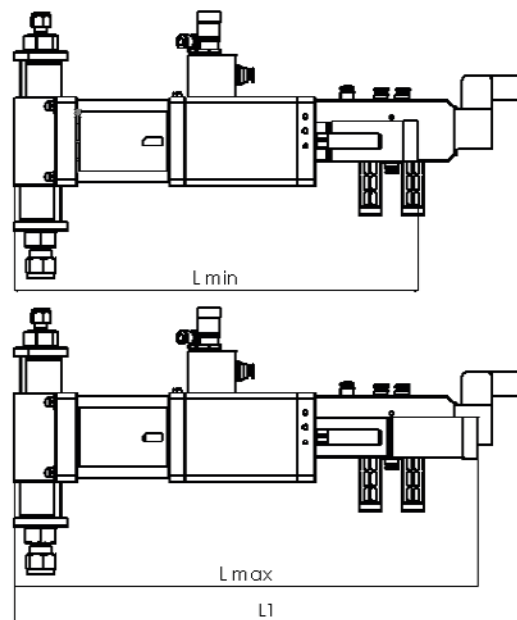
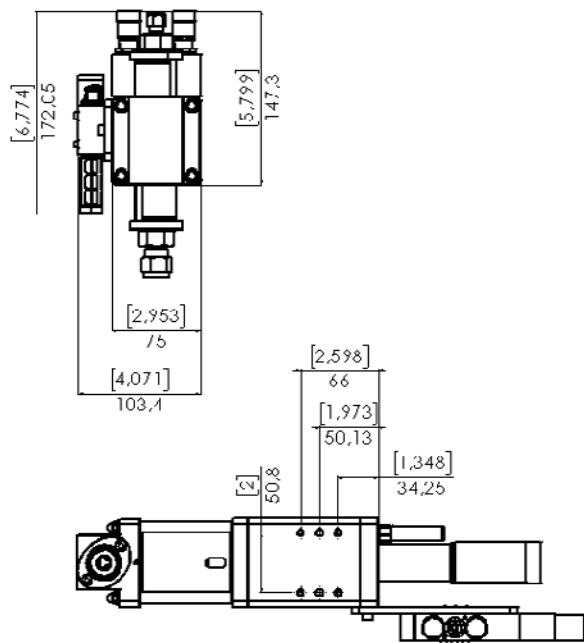
Scan to visit  
[www.neoceramavanti.com](http://www.neoceramavanti.com)



BQA.EMS\_C\_2023162



BQA.QMS\_C\_1997162



Model*	Plunger diameter inches (mm)	Dispensing stroke inches (mm)	Maximum dispensing volume (ml)	Air consumption scfm (l/min)**	Maximum cycle speed cpm***	Pump-length inches (mm)		Pump-length inches (mm)**** L1
						L min	L max	
WH-4P1-CxxxA	5/8 (15.88)	0-1 (0-25.4)	5	1.41 (40)	180	10,482 (266,25)	11,482 (291,65)	14,439 (291,65)
WH-4P2-CxxxB	5/8 (15.88)	0-2 (0-50.8)	10	2.22 (63)	150	13,482 (342,45)	15,482 (393,25)	18,801 (477,55)
WH-4P1-CxxxC	7/8 (22.22)	0-1 (0-25.4)	10	1.41 (40)	180	10,482 (266,25)	11,482 (291,65)	14,439 (291,65)
WH-4P3-CxxxD	5/8 (15.88)	0-3 (0-76.2)	15	2.72 (77)	120	16,482 (418,65)	19,482 (494,85)	18,439 (468,35)
WH-4P2-CxxxE	7/8 (22.22)	0-2 (0-50.8)	19	2.22 (63)	150	13,482 (342,45)	15,482 (393,25)	18,801 (477,55)
WH-4P3-CxxxF	7/8 (22.22)	0-3 (0-76.2)	29	2.72 (77)	120	16,482 (418,65)	19,482 (494,85)	18,439 (468,35)
WH-4P1-CxxxG	1-5/8 (41.28)	0-1 (0-25.4)	33	1.41 (40)	180	10,482 (266,25)	11,482 (291,65)	14,439 (291,65)
WH-4P1-CxxxH	2-1/8 (53.97)	0-1 (0-25.4)	58	1.41 (40)	180	10,482 (266,25)	11,482 (291,65)	14,439 (291,65)
WH-4P2-CxxxL	1-5/8 (41.28)	0-2 (0-50.8)	67	2.22 (63)	150	13,482 (342,45)	15,482 (393,25)	18,801 (477,55)
WH-4P3-CxxxN	1-5/8 (41.28)	0-3 (0-76.2)	101	2.72 (77)	120	16,482 (418,65)	19,482 (494,85)	18,439 (468,35)
WH-4P2-CxxxP	2-1/8 (53.97)	0-2 (0-50.8)	116	2.22 (63)	150	13,482 (342,45)	15,482 (393,25)	18,801 (477,55)
WH-4P45-CxxxQ	1-5/8 (41.28)	0-4.5 (0-114.3)	152	2.72 (77)	90	20,23 (513,85)	23,23 (590,05)	22,187 (563,55)
WH-4P3-CxxxR	2-1/8 (53.97)	0-3 (0-76.2)	174	2.72 (77)	120	16,482 (418,65)	19,482 (494,85)	18,439 (468,35)
WH-4P45-CxxxS	2-1/8 (53.97)	0-4.5 (0-114.3)	260	2.72 (77)	90	20,23 (513,85)	23,23 (590,05)	22,187 (563,55)

\* Model numbers listed are for illustrative purposes of the pneumatic version. Servo driven version also available. For full pump models, please contact a Neoceram sales representative.

\*\* Air consumption values are indicative. These can vary depending on product characteristics and working conditions. This does not apply to servo drive type pumps.

\*\*\* Cycle speeds are indicative. These can vary depending on product characteristics and working conditions, as well as pump drive type.

\*\*\*\* The pump length for a servo motor will be different from the above dimensions.

### North America

4525 Lehigh Drive

Walnutport, PA 18088 • USA

+1 (610) 837-9001

sales.avanti@neoceram.com

[www.neoceramavanti.com](http://www.neoceramavanti.com)



### Europe

Viale dell' Agricoltura 12

15067 Novi Ligure (AL) • Italy

+39 0143 78538

sales.avanti.eu@neoceram.com